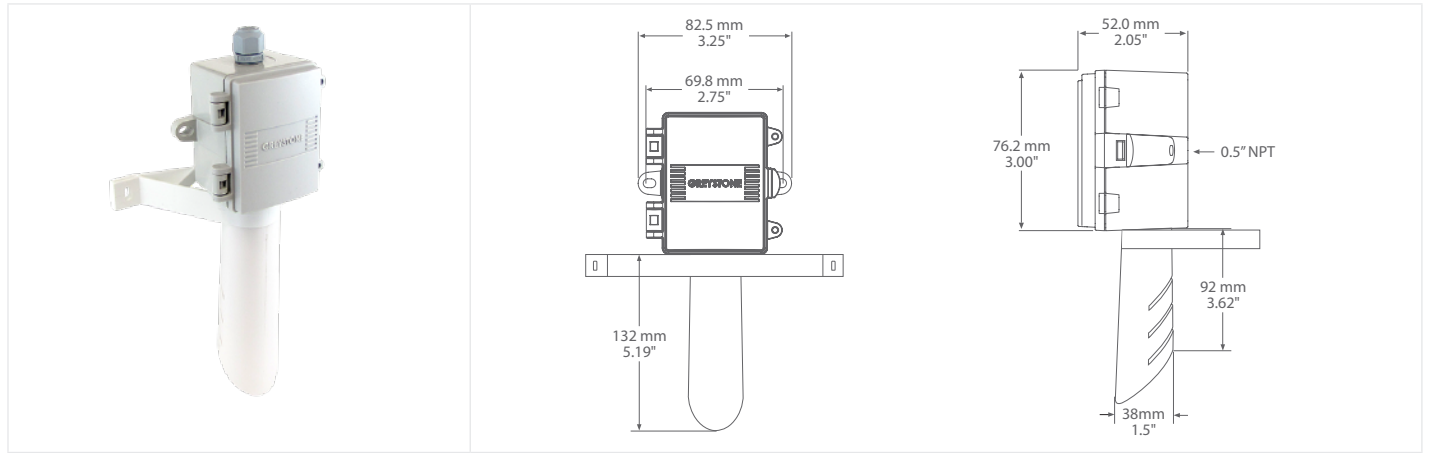


OUTSIDE HUMIDITY TRANSMITTER



HSOB SERIES

PRODUCT DESCRIPTION

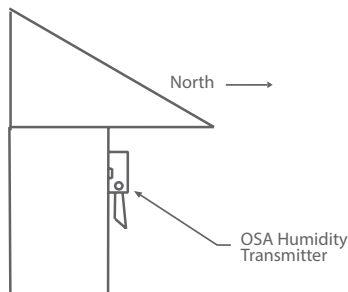
The outside humidity transmitter uses a highly accurate and reliable Thermoset Polymer based capacitance humidity sensor and state-of-the-art digital linearization and temperature compensated circuitry to monitor humidity levels. The sensor is encapsulated in a 12.7 mm (0.5") diameter 304 S/S probe and is field replaceable. A 60 micron HDPE filter protects the sensor for contaminants and a sun and windshield for protection from the elements. A weatherproof enclosure that provides ease of installation is provided. An optional integrated temperature sensor is available.

TYPICAL INSTALLATION

For complete installation and wiring details, please refer to the product installation instructions.

The outside transmitter should be mounted on an outside North facing wall, under the eaves which will provide protection from direct sunlight and wind.

The outside transmitter can be mounted directly to buildings wall face using the provided mounting holes. There is a 0.86" hole for conduit connection of the back of the enclosure.



SPECIFICATIONS

SENSOR TYPE	Thermoset polymer based capacitive
SENSOR ACCURACY	±2, 3, or 5 %RH (5 to 95 %RH)
MEASUREMENT RANGE	0 to 100 %RH
RESOLUTION	±0.01 %RH
HYSTERESIS	±0.8 %RH @ 25°C (77°F)
RESPONSE TIME	8 seconds
STABILITY	<0.25% RH/year
AMBIENT OPERATING RANGE	-40 to 60°C (-40 to 140°F)
POWER SUPPLY	24 Vac/dc ~ ±10% typical, 28 Vac/dc maximum
CONSUMPTION	22 mA @ 24 Vdc, 70mA @24Vac
OUTPUT SIGNAL	4-20 mA / 0-1 Vdc, 0-5 Vdc, or 0-10 Vdc (field selectable)
OUTPUT DRIVE @ 24 VDC	Current: 550Ω max Voltage: 10,000Ω min
OPTIONAL TEMPERATURE SENSOR	Feed Through Sensor: Various RTD's and thermistors available as 2 wire resistance output
PROBE MATERIAL	304 series stainless steel with porous filter
PROBE DIAMETER	12.7 mm (0.5")
SUN AND WINDSHIELD	White polycarbonate, vented Dimensions: 132mm x 38mm (5.19" x 1.5")
ENCLOSURE	A: Polycarbonate, UL94-V0, IP65 (NEMA 4X) E: Same as A, with cable gland fitting
TERMINATION	Screw terminal block (14 to 22 AWG)
COUNTRY OF ORIGIN	Canada

OPTIONAL ACCESSORIES - INCLUDED WITH E ENCLOSURE OPTION

