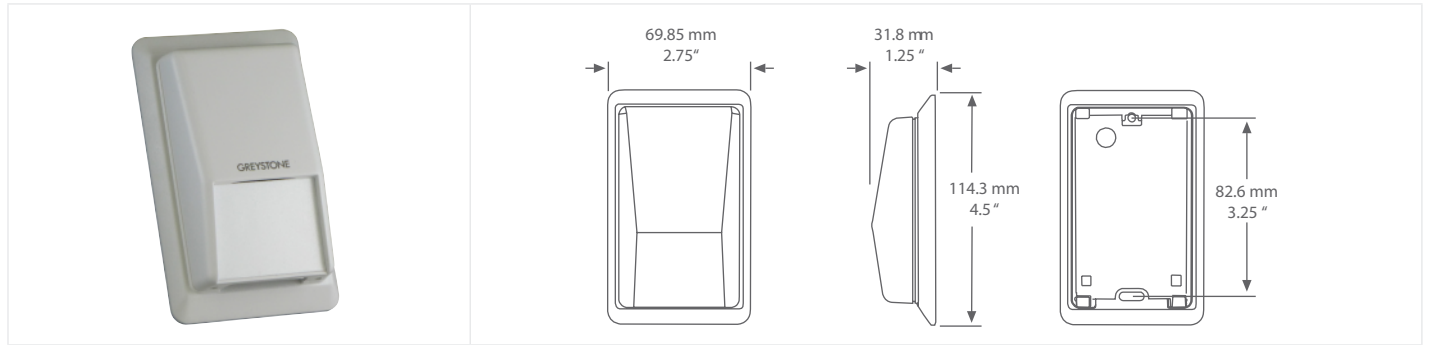




ROOM HUMIDITY/TEMPERATURE TRANSMITTER



RH110B SERIES

PRODUCT DESCRIPTION

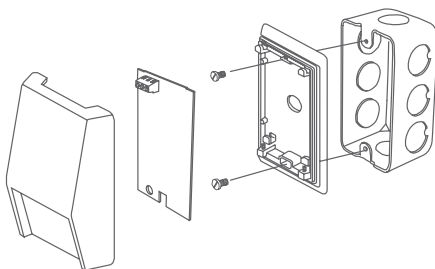
The RH110B series uses a highly accurate and reliable Thermoset Polymer based capacitance humidity sensor and Platinum RTD temperature sensor together with state-of-the-art digital linearization and temperature compensated circuitry in an attractive, low profile enclosure to monitor room humidity & temperature levels.

TYPICAL INSTALLATION

For complete installation and wiring details, please refer to the product installation instructions.

The RH110B series can be mounted directly to a single gang electrical box or directly to a wall. Insulating foam is adhered to the back of the enclosure to provide a thermal barrier from wall temperatures.

A terminal block connection is provided. for connection to the Building Automation System.

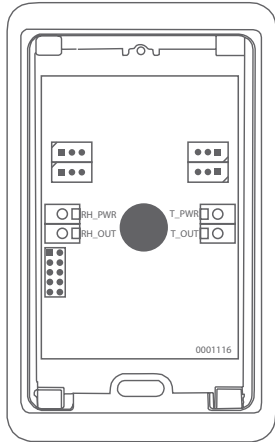


SPECIFICATIONS

HUMIDITY SENSOR TYPE	Thermoset polymer based capacitive
TEMPERATURE SENSOR TYPE	1000Ω Platinum, IEC 751, 385 Alpha, thin film Class B: ±0.3°C @ 0°C
HUMIDITY ACCURACY	±2, 3, or 5 %RH (5 to 95 %RH)
TEMPERATURE ACCURACY	±0.1% of span
MEASUREMENT RANGE	0 to 100 %RH
TEMPERATURE DEPENDENCE	±0.05 %RH/°C
HYSTERESIS	±1.5 %RH maximum
REPEATABILITY	±0.5 %RH typical
LINEARITY	±0.5 %RH typical
SENSOR RESPONSE TIME	15 seconds typical
STABILITY	±1 %RH typical at 50 %RH in 5 years
OPERATING TEMPERATURE	0 to 50°C (32 to 122°F)
OPERATING HUMIDITY	0 to 95 %RH non-condensing
POWER SUPPLY	18 to 35 Vdc
CONSUMPTION	22 mA maximum
INPUT VOLTAGE EFFECT	Negligible over specified operating range
PROTECTION CIRCUITRY	Reverse voltage protected and output limited
OUTPUT SIGNAL	4-20 mA current loop
OUTPUT DRIVE @ 24 VDC	550Ω max
INTERNAL ADJUSTMENTS	Clearly marked ZERO and SPAN pots
ENCLOSURE	White ABS, IP20 (NEMA 1)
DIMENSIONS	70mm W x 114mm H x 30mm D (2.75" x 4.5" x 1.2")
TERMINATION	Screw terminal block (14 to 22 AWG)
COUNTRY OF ORIGIN	Canada



WIRING INFORMATION



TERMINAL	FUNCTION
RH POWER	24 Vac/dc of controller or power supply
RH OUT	4-20 mA output
T PWR	+24 Vdc
T OUT	4-20 mA output

ORDERING

PRODUCT	RH110B	Room Humidity/Temperature Transmitter
ACCURACY	02C	2%
	03C	3%
	05C	5%
SCALED TEMPERATURE RANGE	1A1	0 to 35°C (32 to 95°F)
	1A2	0 to 50°C (32 to 122°F)

PART NUMBER

RH110B

NOTE: Greystone Energy Systems, Inc. reserves the right to make design modifications without prior notice.