

271UHM ULTRASONIC BTU METER



FEATURES

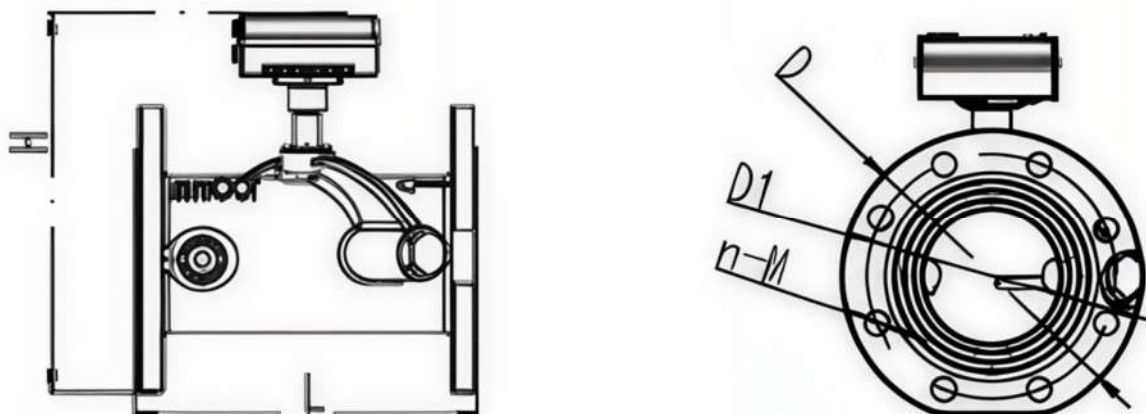
- Environmental grade: Class A (GB/T32224 or EN1434).
- Pressure grade: PN16/PN25 (Default is PN16).
- IP grade: IP65.
- Medium: Water.
- Medium temperature range: 2~95°C.
- When the medium temperature is higher than 90°C or below 15°C , the calculator needs to be separated from the tube body.
- Installation requirement: Horizontal or vertical installation (See installation instructions for details.).
- Installation position: Supply pipe/return pipe (Default to install on supply pipe).

MAIN PARAMETER

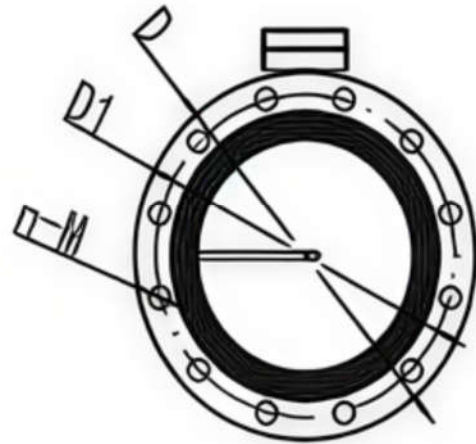
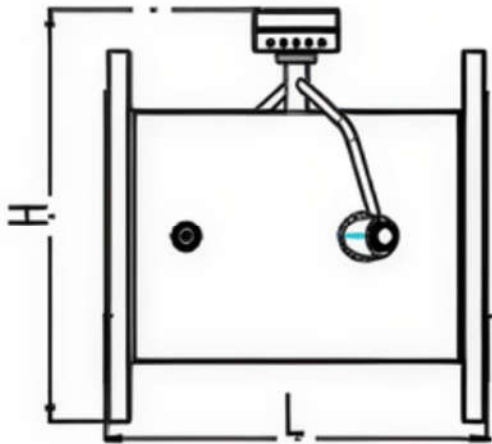
Diameter	DN50~DN500
Accuracy	EN1434 or GB/T32224 Class 2
Environmental grade	Class A
Flow range	50:1 (default) or 100:1 (optional)
Protection grade	IP65
Pressure grade	PN16

Temperature range	2~95°C	
Temperature difference	2~85 K	
Power supply	In-built Battery	
Communication interface	M-BUS& Photoelectric reading head	RS485& Photoelectric reading head
Protocol	Basic controls own protocol, EN1434, CJ188 (2400bps)	Modbus RTU(9600bps, 8N1), BACnet MS/TP(38400bps,8E1)

DIMENSIONS



Flow code	Diameter DN(mm)	Height H(mm)	D(mm)	Length L (mm)	D1	n-M
UHM-50	50	250	165	200	125	4-M16
UHM-65	65	265	185	200	145	4-M16
UHM-80	80	280	200	225	160	8-M16
UHM-100	100	310	220	250	180	8-M16
UHM-125	125	330	250	250	210	8-M16
UHM-150	150	360	285	300	240	8-M20
UHM-200	200	405	340	350	295	12-M20



Flow code	Diameter DN(mm)	Height H(mm)	D(mm)	Length L (mm)	D1	n-M
UHM-250	250	460	405	450	355	12-M22
UHM-300	300	503	460	500	410	12-M22
UHM-350	350	560	520	550	470	16-M22
UHM-400	400	613	580	600	525	16-M26
UHM-500	500	670	655	650	585	20-M26