

INTRODUCTION

The outside dewpoint transmitter is designed for use in environmental monitoring and control systems where high performance and stability are demanded. Its state-of-the-art design combines digital linearization and temperature compensation with a highly accurate and reliable thermoset polymer based capacitance humidity sensor and curve-matched NTC thermistor temperature sensor for reliability and accuracy in the most critical applications. A polycarbonate weatherproof enclosure is provided for ease of installation.

BEFORE INSTALLATION

Read these instructions carefully before installing and commissioning the transmitter. Failure to follow these instructions may result in product damage. Do not use in an explosive or hazardous environment, with combustible or flammable gases, as a safety or emergency stop device or in any other application where failure of the product could result in personal injury. Take electrostatic discharge precautions during installation and do not exceed the device ratings.

MOUNTING

Select a suitable mounting spot on an exterior wall where the sensor is best protected from direct exposure to sunlight, wind, etc. preferably on a north facing wall. Do not mount the sensor near opening windows, supply/exhaust air louvres or other known air disturbances. Avoid areas where the sensor is exposed to vibrations or rapid temperature changes.

The enclosure provides a connection hole for 1/2" Conduit. Run a length of conduit through exterior wall and seal. Use 14-22 AWG shielded wiring for all connections and do not locate the device wires in the same conduit with wiring used to supply inductive loads such as motors. Make all connections in accordance with national and local codes.

The sensor installs directly on an exterior wall using the four integrated mounting holes are provided on the enclosure. Select the best mounting technique based on the exterior wall material. The 2 mounting holes will facilitate a #10 size screw (not supplied). The sensor fitting must be pointing down. See Figure 1.

The enclosure has a hinged cover with a latch. Open the cover by pulling slightly on the latch on the right side of the enclosure. At the same time pulling on the cover, as illustrated in Figure 2.

Feed conduit through the provided hole in the back of the enclosure and secure with a lock nut as shown in Figure 3. It is recommended that weatherproof conduit or cable gland fittings be used.

Make wiring connections as per the "Wiring" illustrations on Page 2.

Swing door closed until securely latched. For added security install the two supplied security screws as shown in Figure 4.

Figure 1

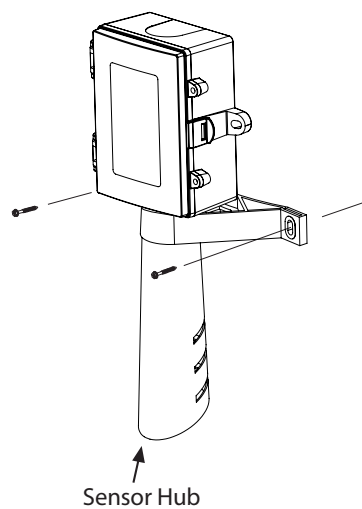


Figure 2

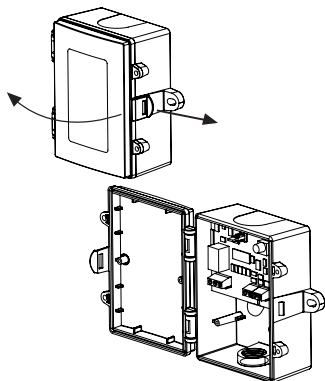


Figure 3

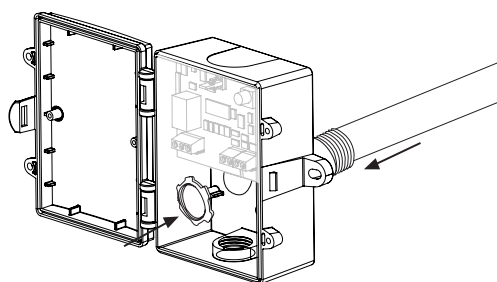
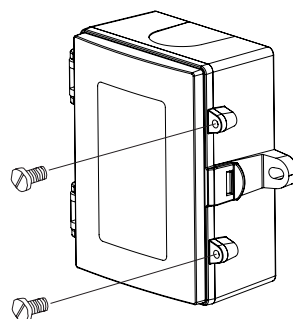


Figure 4



WIRING

- Deactivate the 24 Vac/dc power supply until all connections are made to the device to prevent electrical shock or equipment damage.
- Follow proper electrostatic discharge (ESD) handling procedures when installing the device or equipment damage may occur.
- Use 22 AWG shielded wiring for all connections and do not locate the device wires in the same conduit with wiring used to supply inductive loads such as motors.
- Make all connections in accordance with national and local codes.

Connect the 24 Vac/dc power supply to the terminals labeled PWR (power) and COM (common) as shown in Figure 6. This device has a half-wave type power supply so use caution when wiring multiple devices so that the circuit ground point is the same on all devices and the controller. Use caution if 24 Vac power is used and one side of the transformer is earth-grounded. In general, the transformer should NOT be connected to earth ground when using devices with RS-485 network connections. The device is reverse voltage protected and will not operate if connected backwards.

Connect the RS-485 network with twisted shielded pair to the terminals marked A-, B+ and SHLD (shield) as shown in Figure 6. The positive wire connects to B(+) and the negative wire connects to A(-) and the cable shield must be connected to the SHLD terminal on each device. If the device is installed at either end of the network, an end-of-line (EOL) termination resistor (121 ohm) should be installed in parallel to the A(-) and B(+) terminals. This device includes a network termination jumper and will connect the resistor correctly on the PCB. Simply move the PCB jumper to the EOL position and no external resistor is required as shown in Figure 7. The ground wire of the shielded pair should be connected to earth ground at the end of the network and the master is not grounded. Do not run bus wiring in the same conduit as line voltage wiring.

A network segment is a single shielded wire loop run between several devices (nodes) in a daisy chain configuration. The total segment length should be less than 4000 feet (1220 meters) and the maximum number of nodes on one segment is 127. Nodes are any device connected to the loop and include controllers, repeaters and sensors such as the RH/T Sensor but does not include the EOL terminators. To install more devices, or to increase the network length, repeaters will be required for proper communication. The maximum daisy chain length (segment) depends on transmission speed (baud rate), wire size and number of nodes. If communication is slow or unreliable, it may be necessary to wire two daisy chains to the controller with a repeater for each segment.

Figure 5

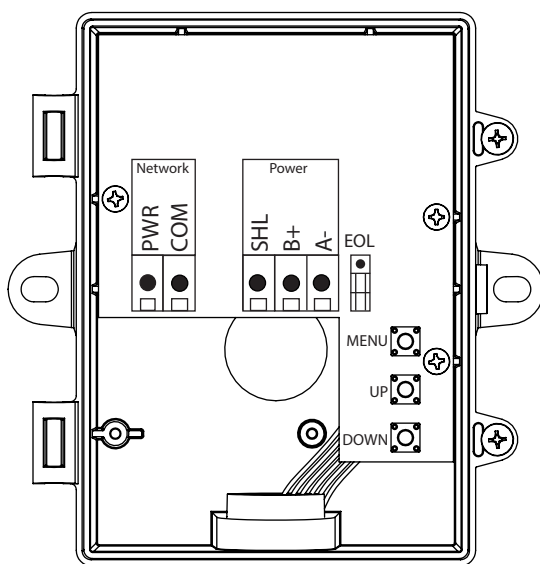


Figure 6

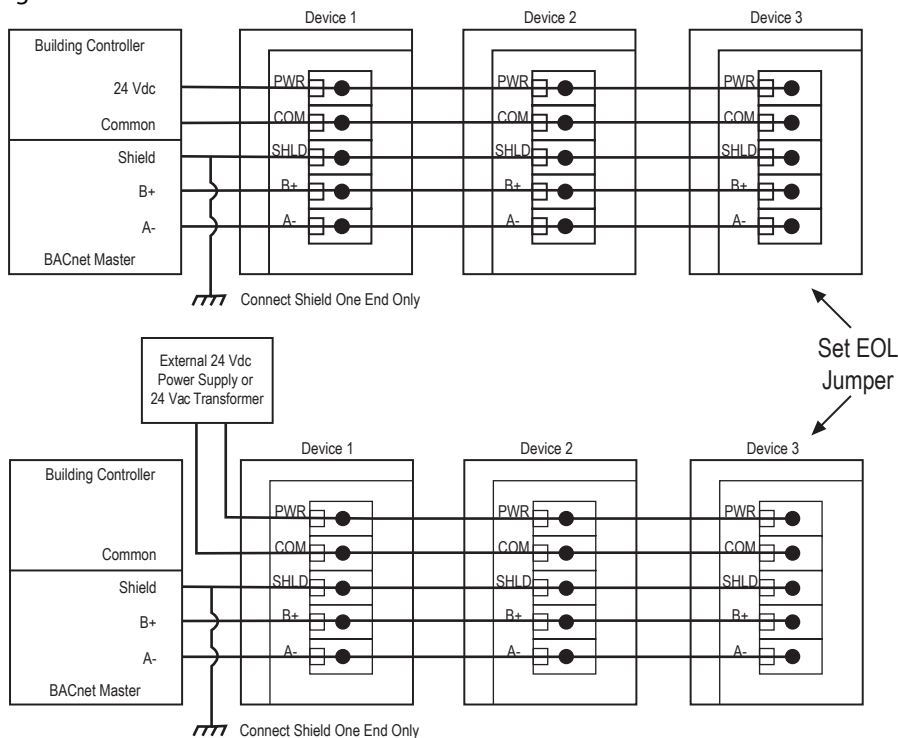
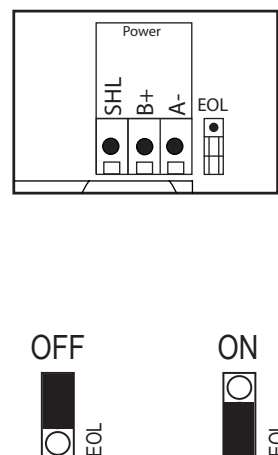


Figure 7



OPERATION

Start-Up Mode

When the device is powered on, it will go through a brief start-up mode. The LCD will display a sequence of information depending on the model. At the end of the start-up sequence, normal operation will begin.

STEP 1 LCD Test

All segments lit for 2 seconds



STEP 2 Model

Displays the model type (BACnet®) for 2 sec.



Displays the model type (Modbus) for 2 sec.



STEP 3 Software Version for 2 sec



STEP 4 Address for 2 sec



STEP 5 Baud rate for 2 sec



NORMAL MODE

In normal operation the device:

- reads the temperature and RH sensors
- calculates values for dewpoint, wet bulb and enthalpy
- updates the LCD values
- updates the network outputs
- monitors the menu key for activity

If the <MENU> key is pressed, normal operation is suspended while the menu functions are serviced. The program will automatically exit the menu after a period of inactivity.

MENU

The device has several parameters that can be configured locally via the User menu using the keypad and LCD. All parameters default to typical values but the installer may want to change some values. Any changes made are saved in non-volatile memory and are restored in case of a power loss. Only the menu items relevant to the device model will be shown. The menu can be accessed at any time after the start-up mode and if there is 5 minutes of inactivity the menu will close and normal operation will continue.

User Menu

To enter the menu, press and release the <MENU> key. This will enter the User menu step 1, pressing the <MENU> key a second time advances to step 2. Each press of the <MENU> key saves the current setting and advances the menu item. The <UP> and <DOWN> keys are used to make changes to program variables by scrolling through the available options. When a value is changed, use the <MENU> key to save it to memory and advance to the next menu item.

<MENU> Press and release to enter the User menu.

ADDRESS

MODBUS (default = 1)
Use <UP> or <DOWN> to set the address 1-255.
°C and Td blink to indicate the mode.



<MENU>

BACnet® (default = 1)
Use <UP> or <DOWN> to set the address 0-127. °C and Td blink to indicate the mode.



<MENU>

BAUD RATE

MODBUS (default = 9600)

Use <UP> or <DOWN> to select a baud rate of 30 (300), 60 (600), 120 (1200), 240 (2400), 480 (4800), 960 (9600), 192 (19200) or 384 (38400), °F and Tw blink to indicate the mode.

<MENU>

BACnet® (default = 9600)

Use <UP> or <DOWN> to select a baud rate of 960 (9600), 192 (19200), 384 (38400), 576 (57600), 768 (76800) or 115 (115200). °F and Tw blink to indicate the mode.

<MENU> Exits the menu and returns to normal operation.

MODBUS SETUP ONLY

PARITY (default = none)

Use <UP> or <DOWN> to select a parity value of n (none), O (odd) or E (even).

<MENU>

STOP BITS (default = 1)

Use <UP> or <DOWN> to set the stop bits to 1 or 2.

<MENU>

CRC (default = 1)

Use <UP> or <DOWN> to select a CRC value of 1 (A001 = CRC-16 reverse), 2 (1021 = CITT), 3 (8005 = CRC-16) or 4 (8408 = CITT reverse).

<MENU>

DELAY (default = 0)

Use <UP> or <DOWN> to change the value from 0 (minimum) to 50, 100, 150, 200, 250, 300 or 350 ms. BTU/lb blinks to indicate the mode.

<MENU> Exits the menu and returns to normal operation.

SPECIFICATIONS:

Power Supply	20 – 27 Vdc, 16 – 27 Vac (non-isolated half-wave rectified)
Consumption	50 mA max @ 24 Vdc, 1.5 VA max @ 24 Vac
Operating Conditions	-30 to 50 °C (-22 to 122 °F), 0 to 95 %RH non-condensing
Storage Conditions	-40 to 70 °C (-40 to 158 °F), 0 to 95 %RH non-condensing
Wiring Connections	14 to 22 AWG terminal block

Enclosure

Dimensions	112.5W x 116.5H x 53.7D mm (4.02W x 4.585H x 2.115D in)
Material	Grey polycarbonate, UL94-V0
Ratings	IP65 (NEMA 4X)
Probe	25.4 mm (1.00") L x 25.4 mm (1.00") D, PVC hub with mesh filter
Approvals	CE, RoHS

Sensor Type:

RH Sensor	Thermoset polymer based capacitive
Temperature Sensor	NTC Thermistor

Measurement Range:

Relative Humidity	0 - 100 %RH
Dry Bulb Temperature	-30 to 50 °C (-22 to 122 °F)

Calculated Values:

Dewpoint Temperature	-30 to 50 °C (-22 to 122 °F)
Wet Bulb Temperature	-30 to 50 °C (-22 to 122 °F)
Enthalpy	0 to 340 kJ/kg (0 to 146 BTU/lb)

Accuracy:

Relative Humidity (RH)	± 2% RH, 10 – 90 %RH @ 25 °C
Dry Bulb Temp.(T)	± 0.2 °C (± 0.4 °F) / 0 to 50 °C (32 to 122 °F)
Dewpoint Temp. (Td)	± 1.0 °C (± 1.8 °F) @ 40 %RH / 25 °C
Wet Bulb Temp. (Tw)	± 1.0 °C (± 1.8 °F) @ 50 %RH / 25 °C
Enthalpy (En)	± 2 kJ/kg (± 1 BTU/lb) @ 50 %RH / 25 °C

Interface:

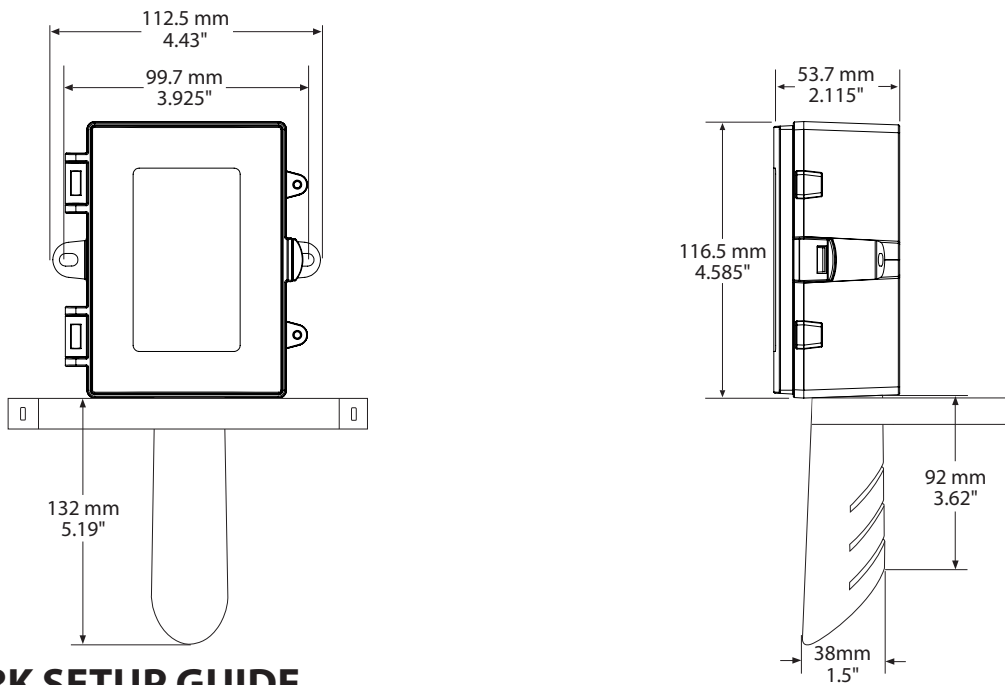
Modbus Protocol	Modbus RTU, 2-wire RS-485 300, 600, 1200, 2400, 4800, 9600, 19200 or 38400 baud 1-255 slave address range
BACnet Protocol	MS/TP, 2-wire RS-485, 9600, 19200, 38400, 57600, 76800 or 115200 baud 0-127 slave address range

LCD Display Values:

Temperature	-30.0 to 50.0 °C (0.5 °C resolution) or -22 to 122 °F (1 °F resolution)
Dewpoint	-30.0 to 50.0 °C Td (0.5 °C resolution) or -22 to 122 °F Td (1 °F resolution)
Wet Bulb	-20.0 to 50.0 °C Tw (0.5 °C resolution) or -4 to 122 °F Tw (1 °F resolution)
Enthalpy	0 to 340 kJ/kg (1 kJ/kg resolution) or 0 to 146 BTU/lb (1 BTU/lb resolution)

Country of Origin Canada

DIMENSIONS



NETWORK SETUP GUIDE

The network setup guide describes the implementation of the BACnet® or Modbus protocol. It is intended to assist control system programmers who may need to add support to their systems to communicate with this device.

BACnet® and Modbus setup guide downloads are available online.



BACnet® PROTOCOL

<https://downloads.greystoneenergy.com/SG/SG-DWXXXBAC.pdf>



MODBUS PROTOCOL

<https://downloads.greystoneenergy.com/SG/SG-DWXXXMOD.pdf>