

INSTALLATION GUIDE

SL-2000-P

DUCT SMOKE DETECTOR



SPECS

P

Power Requirements	Stand By Current:	(With Accessories)	Alarm Current:	(With Accessories)
24VAC	55.0mA	95.0mA	190.0mA	280.0mA
24VDC	14.0mA	32.0mA	68.0mA	165.0mA
115VAC	22.0mA	25.0mA	32.0mA	50mA
230VAC	14.0mA	14.0mA	18.0mA	30.0mA
Relay Contact Ratings				
Alarm Contacts:	Resistive load: 2 sets or "C" rated at 10 Amps @ 115VAC Resistive load: 1 set form "A" rated at 2 Amps			
Trouble Contacts:	Resistive load: 1 set form "C" rated at 10 Amps @ 115VAC			
Air Velocity	100 to 4,000 ft./min.			
Ambient Temperature	32°F to 140°F (0°C to 60°C)			
Humidity	10% to 85% RH Non-Condensing / Non-Freezing			
Wiring	Solid or stranded: #12 to #22 AWG terminals			
Material	Gray plastic backbox, clear plastic cover (Makrolon 94V-0)			
Dimensions	13 1/2" L x 4 1/2" W x 2 1/4" H			
Maximum Net Weight	3 1/2 lbs.			

DO NOT EXPOSE TO CORROSIVE ATMOSPHERES
U.S. PATENTS 6.741.181;7.204.522;6.124.795

For additional support, installation help, and Technical Bulletin (APD1065) please visit: <https://apcfire.com/support/>



NOTE: For the correct installation of a duct smoke unit, please refer to the NFPA 72 (National Fire Alarm Code), NFPA 90A (Standard for Installation of Air Conditioning and Ventilation Systems), NFPA 92A (Recommended Practice for Smoke Control Systems), NFPA 5000 (Building Construction and Safety Code), IMC (International Mechanical Code), IFC (International Fire Code) and NEC (National Electric Code).

NOTE: For the correct installation of a duct smoke unit in Canada, please refer to the Standard for the installation of Fire Alarm Systems, CAN/ULC -S524 The National Building Code of Canada and the Nation Fire

BOX CONTENTS

- SL-2000-P Duct Smoke Detector
- FAST-TUBE Starter Kit
- Exhaust tube (7" , blue notch)
- Red Sampling Tube Cap
- 2 Mounting Screws
- Adhesive Mounting Template
- Adhesive Labeling Template

EQUIPMENT NEEDED

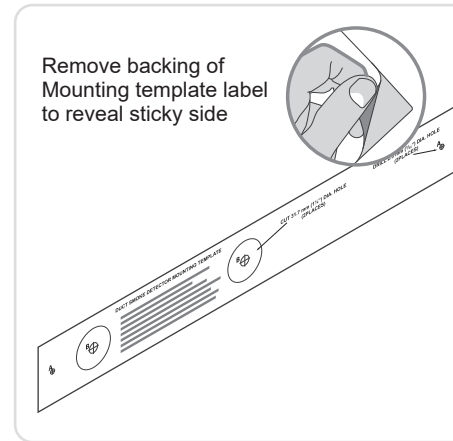
- Center punch
- 2.5 mm drill bit
- 32 mm hole saw
- Drill
- Hammer
- Hacksaw
- Phillips screwdriver

PARTS REQUIRED

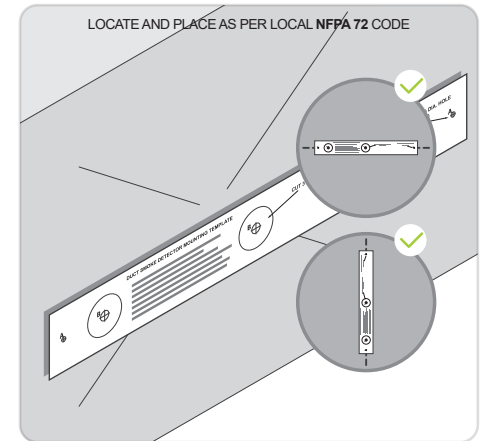
(Purchased separately)

- Sampling tubes (as required by NFPA 72 and local building codes)
- 3/4" Conduit fitting
- 14-24 AWG wire

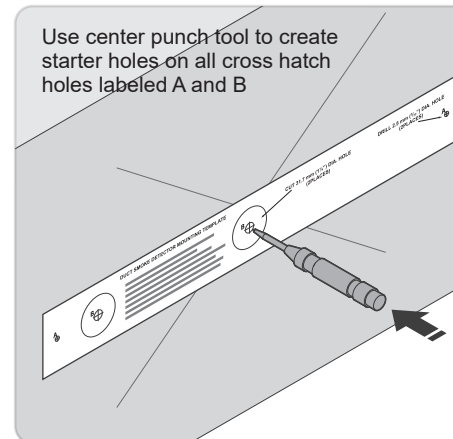
1. PEEL / DESPEGAR



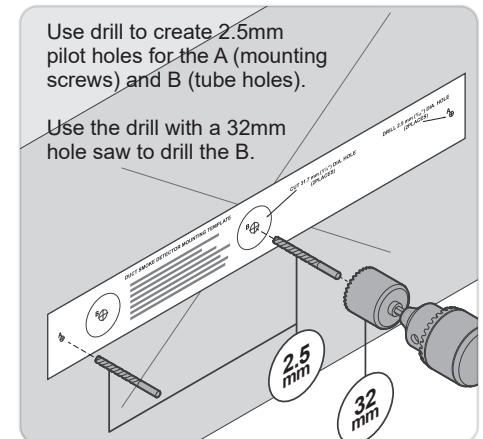
2. LOCATE / UBICAR



3. PUNCH / MARCAR

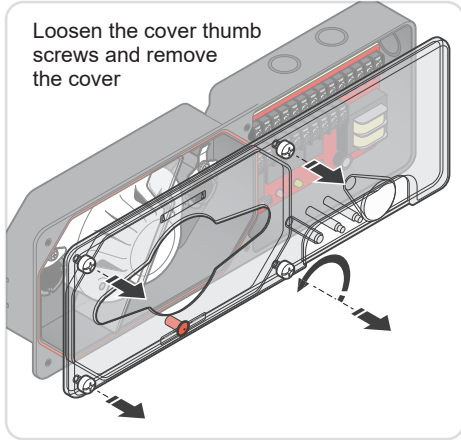


4. DRILL / PERFORAR



5. REMOVE COVER

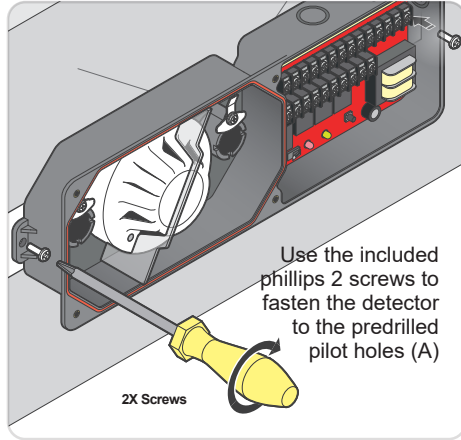
Loosen the cover thumb screws and remove the cover



6. FASTEN DETECTOR

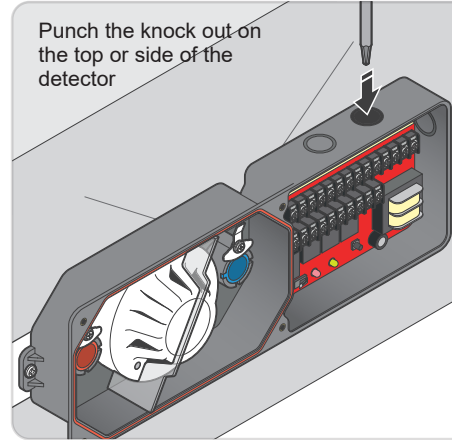
Use the included phillips 2 screws to fasten the detector to the predrilled pilot holes (A)

2X Screws



9. PUNCH KNOCK-OUT HOLE

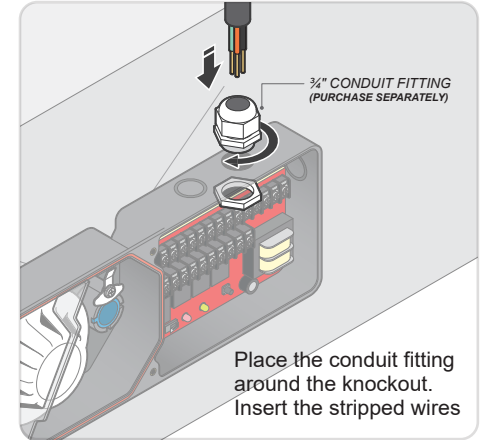
Punch the knock out on the top or side of the detector



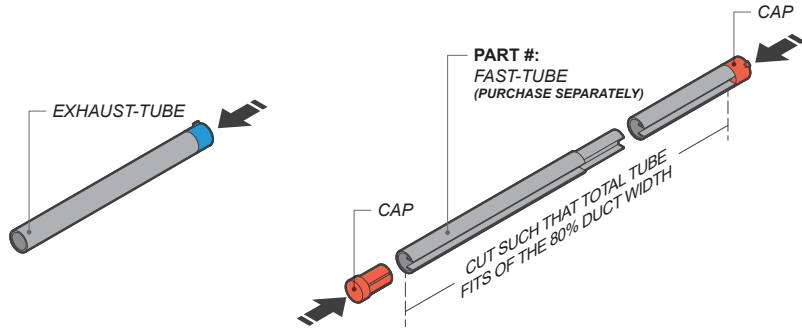
10. PLACE CONDUIT FITTING

3/4" CONDUIT FITTING (PURCHASE SEPARATELY)

Place the conduit fitting around the knockout. Insert the stripped wires

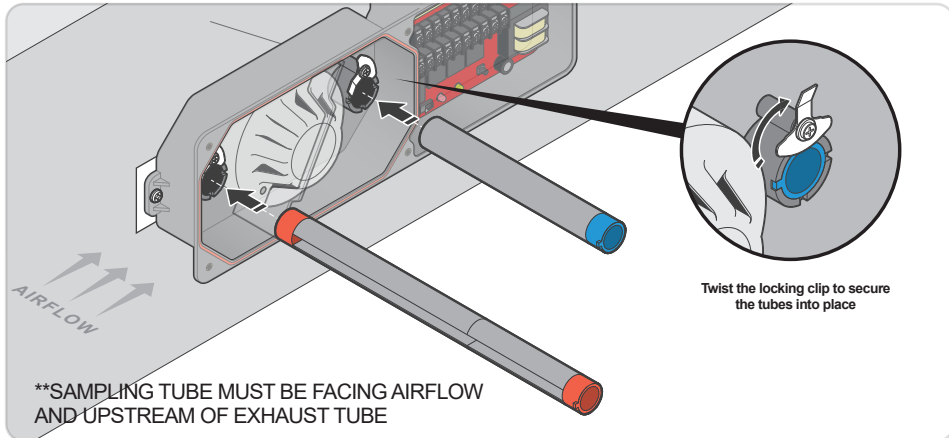


7. ASSEMBLY

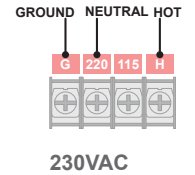
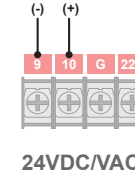
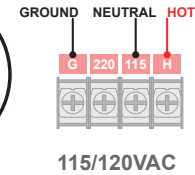
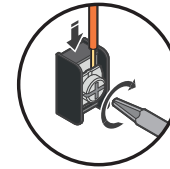


*SAMPLING TUBES MUST BE INSTALLED PER NFPA 72 CODE (Assembly for STN series tube may differ)

8. INSTALL TUBES / INSTALAR TUBOS



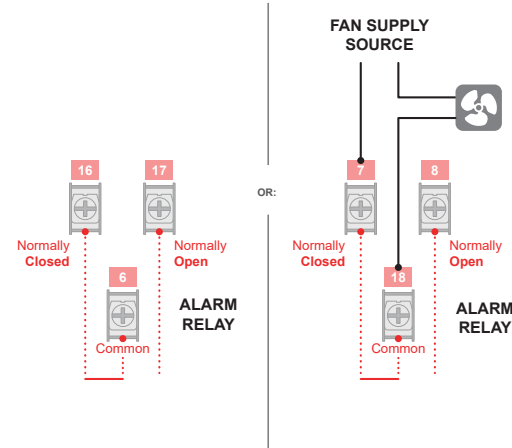
11. WIRING POWER / CABLEADO



⚠ DANGER: Risk of electric shock. Disconnect power prior to servicing. This detector is not intended as a substitute for open area protection

WIRE TO HVAC

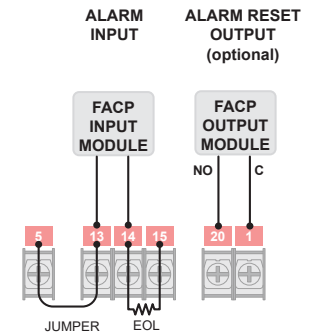
Wiring for most RTU units



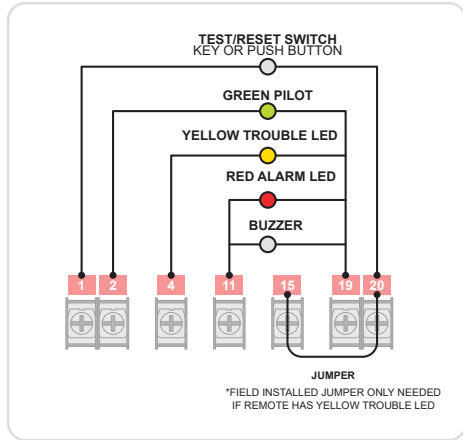
Refer to package unit (RTU) manufacturer's installation guide for specific shut down wiring

WIRE TO FIRE ALARM

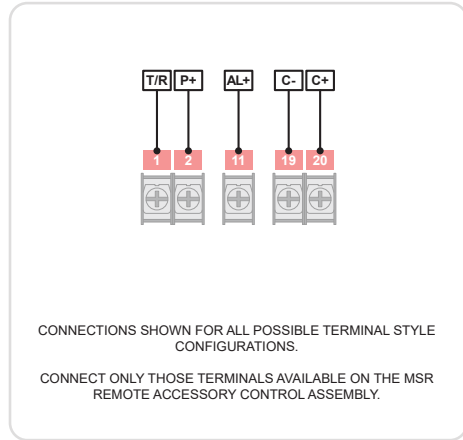
Wiring for class B FACP monitoring



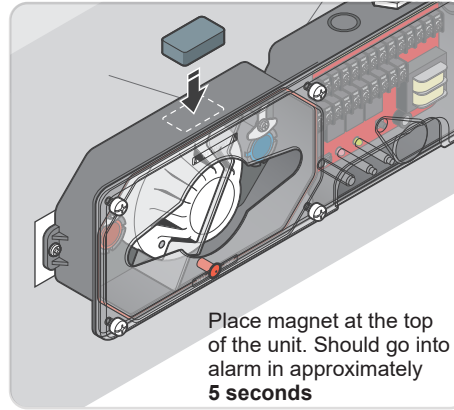
MS REMOTE WIRING



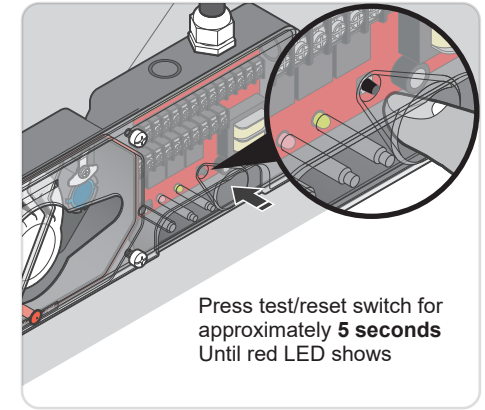
MSR REMOTE ACCESSORY



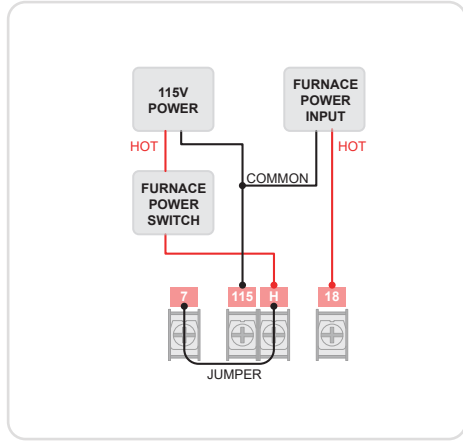
WITH A MAGNET



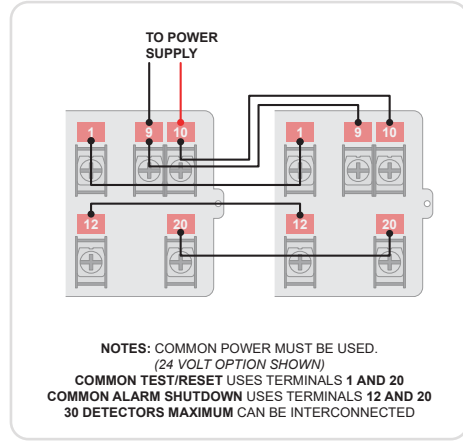
WITH TEST/RESET BUTTON



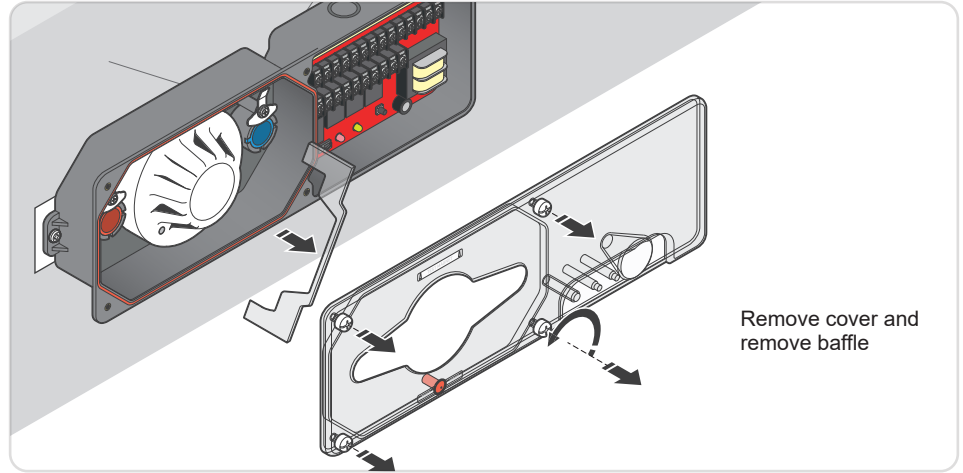
RESIDENTIAL FURNACE



INTERCONNECT

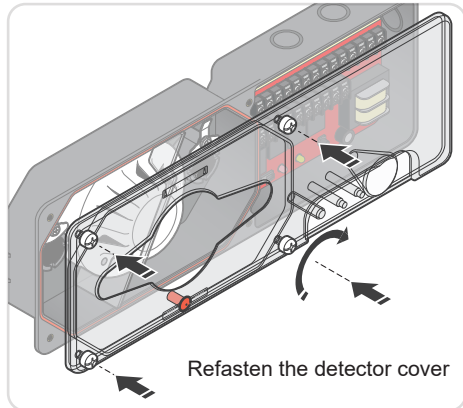


MAINTENANCE (QUARTERLY)

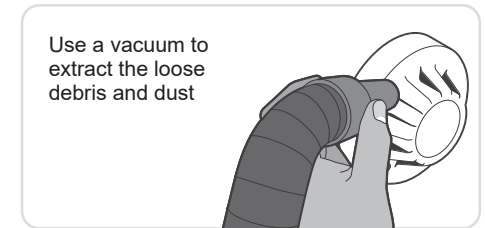
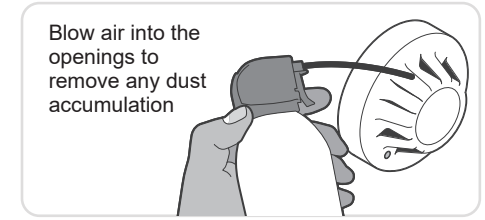
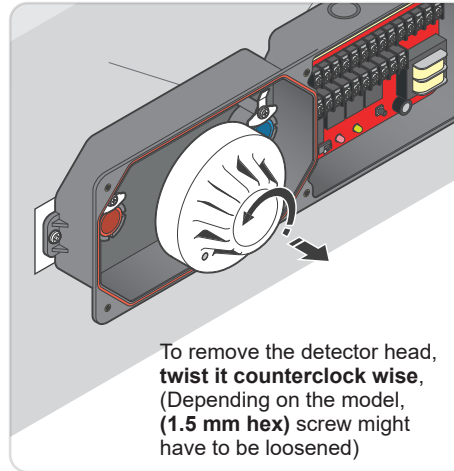
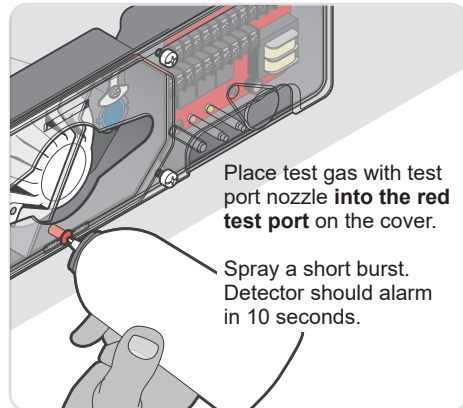


TESTING (RECOMMENDED EVERY 6 MONTHS OR LOCAL NFPA 72 CODE)

INSTALL COVER



WITH GAS



AVAILABLE ACCESSORIES FOR USE WITH SL-2000 SERIES DUCT SMOKE DETECTORS

P/N	PN Description
MSR- SERIES REMOTE ACCESSORIES	
MSR-100R Series Features LED Indicators: Alarm, Pilot, Trouble • Buzzer: Programmable for Alarm and Trouble Buzzer Silence: Visual Notification and Ringback • Detector Test/Reset: Key Operated • LED/Buzzer Test: Push-Button Operated	
MSR-100R/R	Remote in a single gang red plate
MSR-100R/W	Remote in a single gang white plate
MSR-100RA/W	Remote with sounder in a double gang white plate
MSR-100RAV/R/C	Remote with sounder and strobe with a clear lens in a double gang red plate
MSR-100RAV/W/C	Remote with sounder and strobe with a clear lens in a double gang white plate
MSR-100RV/W/C	Remote with strobe with a clear lens in a double gang white plate
MSR-50RM Series Features Magnet Test, Pushbutton Reset, Visual Pilot, Trouble, Alarm LED	
MSR-50RM/R	Remote in a single gang red plate
MSR-50RM/W	Remote in a single gang white plate
MSR-50RK Series Feature Key Test & Reset with Visual Pilot, Trouble, Alarm LED	
MSR-50RK/R	Remote in a single gang red plate
MSR-50RK/W	Remote in a single gang white plate
MSR-50RKA/R	Remote with sounder in a double gang red plate
MSR-50RKA/W	Remote with sounder in a double gang white plate
MSR-50RKAV/R/C	Remote with sounder and strobe with a clear lens in a double gang red plate
MSR-50RKAV/W/C	Remote with sounder and strobe with a clear lens in a double gang white plate
MSR-AV Series Combination Strobe (Visual) and Sounder with a clear lens	
MSR-AV/T/R/C	Remote in a single gang red plate
MSR-AV/T/W/C	Remote in a single gang white plate
MSR-V-PLUGIN	Replacement visual strobe
MS-SERIES REMOTE ACCESSORIES featuring stainless steel plates	
MS-RA	Single gang LED alarm indicator, no reset
MS-RA/P	Single gang LED Pilot and Alarm indicators, no reset
MS-RA/P/R	Single gang LED Alarm and Pilot indicators, and pushbutton reset
MS-RA/R	Single gang LED alarm indicator, Pushbutton Reset
MS-RD	Single gang LED alarm indicator, no reset, labeled Duct Smoke Detector
MS-RH	Single gang horn, no reset
MS-KA/P/R	Single gang LED alarm indicator, key test & reset
MS-KA/R	Single gang LED alarm and pilot indicators, key test & reset
MS-RH/KA/P/A/T	Double gang horn, LED Pilot, Trouble and Alarm indicators, Key test & reset

MS-RH/KA/P/R	Double gang horn, LED Pilot and Alarm indicators, Key test & reset
MS-RH/P/A	Single gang horn, LED Pilot and Alarm indicators, no reset
SMOKE TEST GAS	
TG-2000	Test Smoke Gas w/Nozzle Include
TG-2500	Smoke Centurion w/SL Nozzle
SAMPLING TUBES	
FAST TUBE	Sectional Tube for Duct Widths up to 8ft
STN-1.0	10.0 Inches Metal Sampling Tube, For duct widths of 6" to 1.0'
STN-10.0	10.0 Feet Metal Sampling Tube, For duct widths of 5.0' to 10.0'
STN-2.5	2.5 Feet Metal Sampling Tube, For duct widths of 1.0' to 3.0'
STN-5.0	5.0 Feet Metal Sampling Tube, For duct widths of 3.0' to 5.0'
REPLACEMENT SMOKE DETECTOR HEADS	
55000-328APO	Photoelectric Replacement Smoke Detector Head (discontinued)
55000-335DCT	Duct Smoke Detector Head Replacement
POWER SUPPLIES	
T-PB-202-0	96VA, 24VAC @ 4.0A, Class I, chassis for panel mount
T-PB-202-1	96VA, 24VAC @ 4.0A, Class I with enclosure
T-PB-303-0	72VA, 24VAC @ 3.0A, Class II, chassis for panel mount
T-PB-303-1	72VA, 24VAC @ 3.0A, Class II with enclosure
WEATHERTIGHT ENCLOSURE	
WP-2000	WP-2000 Weatherproof Enclosure