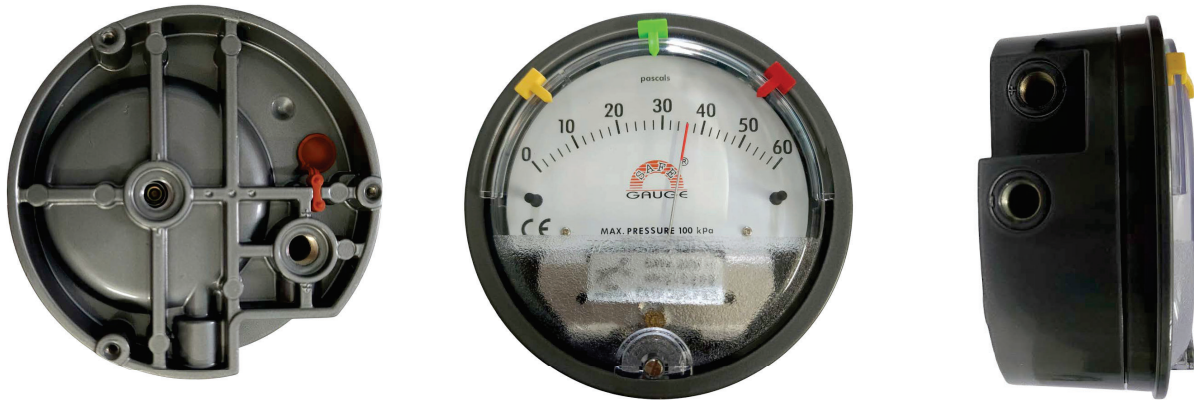


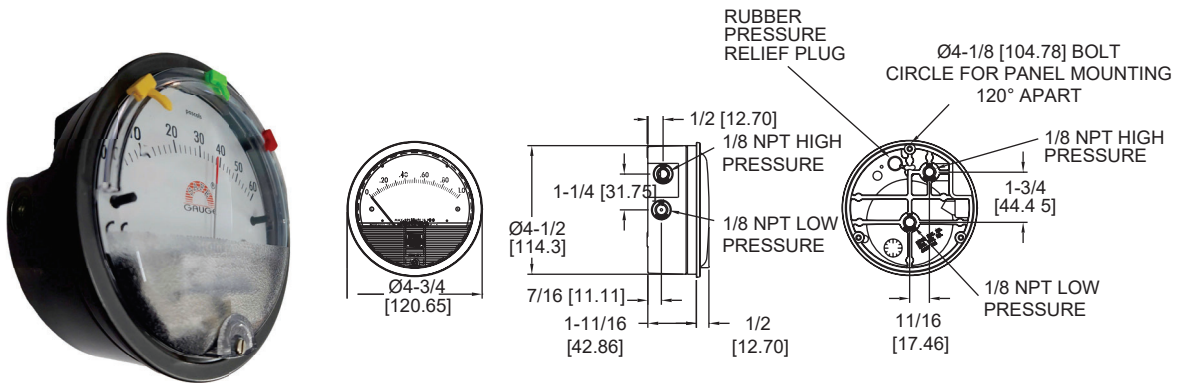
Series J-5000

J-5000 AERO TYPE DIFFERENTIAL PRESSURE GAGES

Indicate Positive Differential, Accurate within 2%



J-5000 AERO Type Differential Pressure Guages



J-5000 type Differential Pressure Gauge make use of simplicity; have no friction of the magnetic element of spiral movement, with rubber film slice as the sensitive component in measuring flexibility pressure. It can make use of index sign to indicate the measuring of gaseous pressure quickly, no matter of positive, negative or differential pressure. This design has quakeproof, shaking and over pressure function. Nevertheless, there's no need to have liquid filling inside, therefore, no gaseous, freezing, and strange smell will appears in this matter.

BENEFITS/FEATURES

- Easy to read gage through undistorted plastic face permits viewing from far away
- Patented design provides quick response to pressure changes means no delay in assessing critical situations
- Durable and rugged housing and high-quality components combine to provide long- service life and minimized down-time
- High accuracy option is twice as accurate as the standard Magnehelic® gage

APPLICATIONS

- Fan and drum pressure monitoring
- Screening resistance and wind velocity detection
- Stove and exhaust pressure control
- Air/gas differential pressure in process control
- Automatic valve regulation
- Medical devices for blood and breathing pressure monitoring

SPECIFICATIONS

Accuracy: ±2%FS
Temperature Limits: -7°C to 60°C
Process Connections: High pressure and low-pressure hole of 1/8" drill tube thread, 2 sets (side and back each)
Casing Material: Cast aluminum press or Nylon with ABS plastic
Weight: 1 lb 2 oz (510 g), MP & HP 2 lb 2 oz (963 g)
Standard Accessories: 2 pcs 1/8" NPT head, 2 pcs 1/8" spiral plastic tube; 3 pcs with bolt for bolt card installation

