

BRONZE PN16 GATE VALVE

The Honeywell Bronze PN16 Gate Valve (DN15 to DN50) provides exceptional flow control, durability and ease of use. The Honeywell Bronze PN16 Gate Valve (DN15 to DN50) is widely used in water treatment, chemical processing, HVAC systems, and other industrial applications. This valve ensures optimum performance, reliable operation and long-term efficiency in demanding environments.



Honeywell Bronze Gate Valve PN16

FEATURES AND BENEFITS

DURABLE BUILD

The bronze body is designed to be non-rising, ensuring a compact and durable structure suitable for various applications.

FULL PORT TYPE

Ensures minimal pressure loss by allowing maximum flow through the valve.

NON-RISING STEM

The non-rising stem design makes it ideal for installations with limited space.

PART NUMBERS

SKU DESCRIPTION		
SIZE	SKU	SHORT DESCRIPTION
DN15	V3GANA150B015N.	Manual Gate Valve, Bronze Body, PN16, DN15
DN20	V3GANA150B020N.	Manual Gate Valve, Bronze Body, PN16, DN20
DN25	V3GANA150B025N.	Manual Gate Valve, Bronze Body, PN16, DN25
DN32	V3GANA150B032N.	Manual Gate Valve, Bronze Body, PN16, DN32
DN40	V3GANA150B040N.	Manual Gate Valve, Bronze Body, PN16, DN40
DN50	V3GANA150B050N.	Manual Gate Valve, Bronze Body, PN16, DN50

PRODUCT SPECIFICATIONS

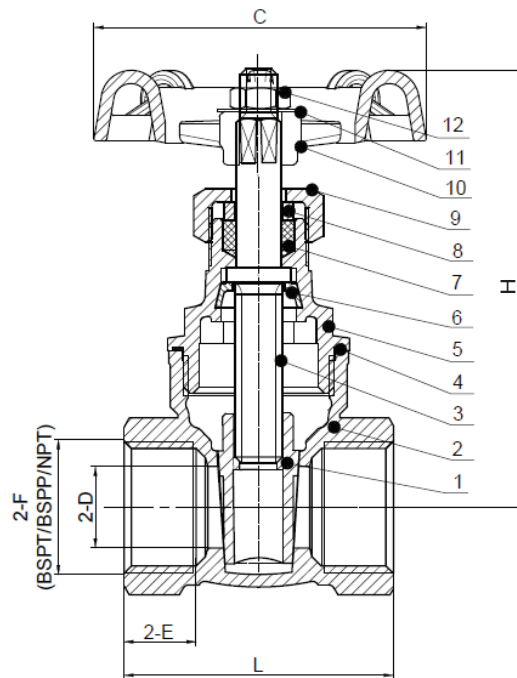
TECHNICAL SPECIFICATIONS	
PARAMETER	SPECIFICATION
Valve Sizes	½" (DN15) to 2" (DN50) (Threaded ends)
Nominal Pressure	PN16 from 0 °C to 100 °C (Water or non-corrosive liquid)
Sealing	Resilient sealing
Coating	Internally and externally fusion bonded epoxy powder coated (FBE)

MATERIAL SPECIFICATIONS

MATERIAL DETAILS

PART NO.	COMPONENT	MATERIAL TYPE
1	Disc	Casted bronze "C83600/CC491K"
2	Body	Casted bronze "C83600/CC491K"
3	Stem	DZR
4	Washer	PTFE
5	Bonnet	Casted bronze "C83600/CC491K"
6	Gland	Architectural bronze "C38000"
7	Packing	PTFE
8	Packing nut	Brass "CW617N"
9	Lock nut	Architectural bronze "C38000"
10	Handwheel	Cast iron "HT200"
11	Name plate	Tool steel "L2"
12	Hex nut	S.S 304

DIMENSIONS



Honeywell Bronze Gate Valve PN16 (Sectional View)

DIMENSIONS

SIZE	F (INCH) THREAD	L (MM)	H (MM)	C (MM)	D (MM)	E (MM)
DN15	1/2	43	69.7	53	13	11.5
DN20	3/4	46	75	53	17	11.5
DN25	1	52	84.5	60	21	13
DN32	1 1/4	55	100.2	72	27	13
DN40	1 1/2	59	111	72	34	14
DN50	2	69	126	78	45	16.5

By using this Honeywell literature, you agree that Honeywell will have no liability for any damages arising out of your use or modification to, the literature. You will defend and indemnify Honeywell, its affiliates and subsidiaries, from and against any liability, cost, or damages, including attorneys' fees, arising out of, or resulting from, any modification to the literature by you.

Honeywell | Building Automation

715 Peachtree Street, N.E.,
Atlanta, Georgia, 30308, United States.
www.buildings.honeywell.com

@U.S. Registered Trademark
© 2024 Honeywell International Inc.
31-00XXX-01 | Rev 09-24